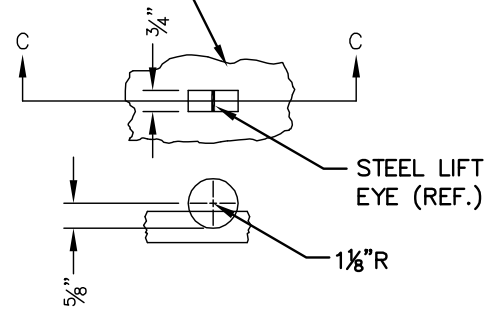


SLOT SHALL HAVE A SMOOTH FINISH, FREE OF CONCRETE PROJECTIONS.



SECTION C-C
LIFT EYE SLOT DETAIL

NOTES:

1. SEE CITY OF GLENDALE SPECIFICATIONS FOR PULL BOX MATERIAL REQUIREMENTS.
2. SEE STANDARD T2-10 FOR TYPICAL PULL BOX INSTALLATION DETAILS.
3. SEE THIS SHEET FOR LIFT EYE SLOT DETAIL.
4. COVER LETTERING SHALL BE 1" LETTERS. LETTERING SHALL READ "TRAFFIC SIGNALS" FOR TRAFFIC SIGNAL BOXES OR "COG COMMUNICATIONS" FOR ITS/INTERTIE/FIBEROPTIC PULL BOXES.
5. FOR PULL BOXES WITH EXTENSIONS, THE BOXES MAY BE STACKED.
6. ALL HARDWARE REQUIRED TO SECURE THE LID SHALL BE SUPPLIED BY THE CONTRACTOR.

SPECIFICATIONS

12"X12" (NO. 1) AND 8"X18" (NO. 1.5) PC STYLE QUAZITE GASKETED BOXES

LID

DESCRIPTION	PART NO.	DIMENSIONS (IN.)			WT. LBS.
		A	B	C	
STANDARD COVER 4 BOLTS	PC1212CG00	12 ⁷ / ₈	12 ⁷ / ₈	3/4	12
	PC0818CG00	19 ⁵ / ₈	9 ⁵ / ₈	3/4	11

BOX

DESCRIPTION	PART NO.	DIMENSIONS (IN.)					WT. LBS.
		D	E	F	G	H	
BOX WITH OPEN BASE	PC1212BG12	14 ³ / ₄	14 ³ / ₄	12 ³ / ₄	12	12	27
	PC0818BG08	21 ¹ / ₂	11 ¹ / ₂	8	8 ¹ / ₄	18 ¹ / ₄	20

SIGNATURES
ON FILE



CITY OF GLENDALE
TRAFFIC SIGNAL AND ITS STANDARDS

NO. 1 AND NO. 1.5 PULL BOXES

REVISION:
6/2007

T2-1